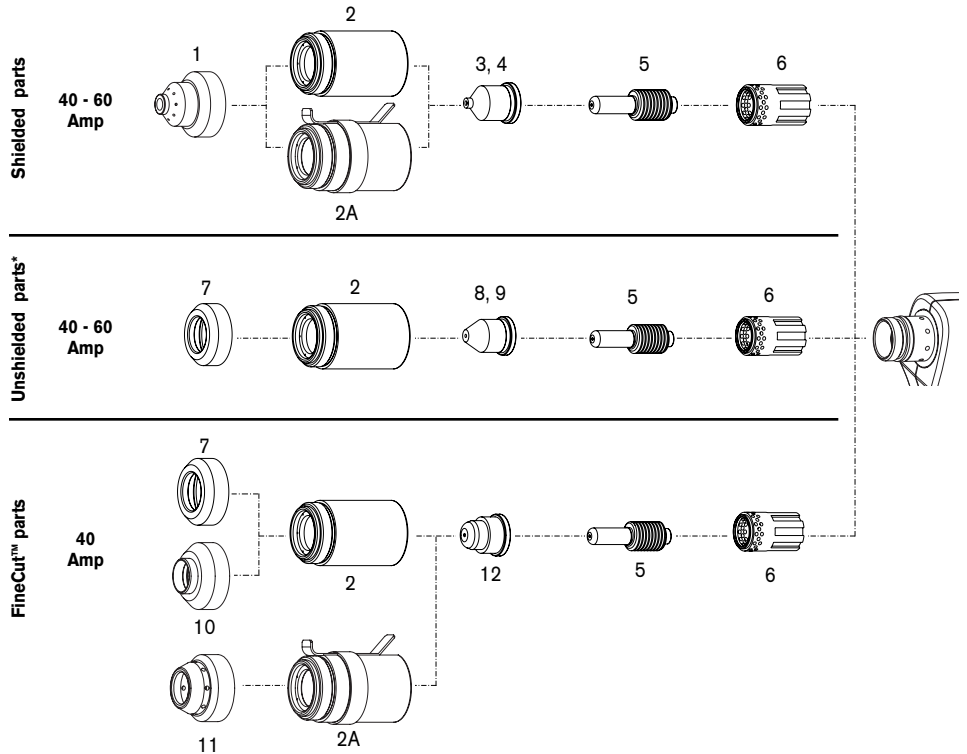


Hypertherm®

RT60 Retrofit torch For powermax600/800/900, MAX42/43

Machine torch parts

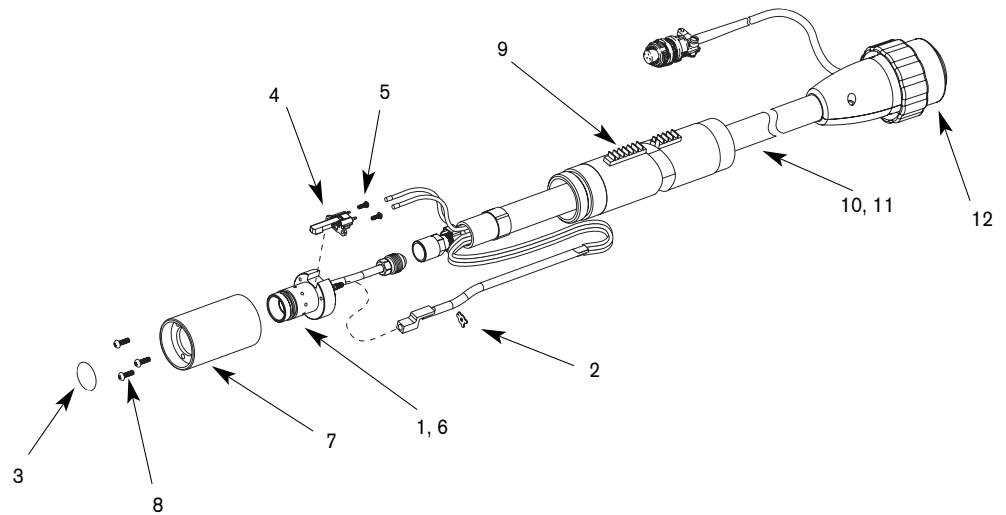
RT60 consumables



RT60M torch

DESCRIPTION	60 AMP		40 AMP		QUANTITY	
	ITEM NUMBER	PART NUMBER	ITEM NUMBER	PART NUMBER		
Shielded parts	Shield	1	120930	1	120930	1
	Retaining Cap	2	120928	2	120928	1
	Retaining Cap, Ohmic	2A	220061	2A	220061	1
	Nozzle	4	120931	3	120932	5
	Electrode	5	120926	5	120926	5
	Swirl Ring	6	120925	6	120925	1
Unshielded parts*	Deflector	7	120979	7	120979	1
	Retaining Cap	2	120928	2	120928	1
	Nozzle	9	220007	8	220006	5
	Electrode	5	120926	5	120926	5
	Swirl Ring	6	120925	6	120925	1
FineCut™ parts	Deflector	—	—	7	120979	1
	Deflector, CE	—	—	10	220325	1
	Shield, Ohmic	—	—	11	220404	1
	Retaining Cap	—	—	2	120928	1
	Retaining Cap, Ohmic	—	—	2A	220061	1
	Nozzle	—	—	12	220329	5
	Electrode	—	—	5	120926	5
Swirl Ring	—	—	6	120925	1	

RT60M machine torch assembly



RT60M torch

ITEM NUMBER	PART NUMBER	DESCRIPTION	QUANTITY
	083217^	RT60M Machine Torch Assembly with 25 ft (7.6 m) Lead	
	083218^	RT60M Machine Torch Assembly with 50 ft (15.2 m) Lead	
1	128640	Torch Main Body Replacement Kit	1
2	027889	Retaining Clip	1
3	058519	O-ring	1
4	128639	Cap-off Sensor Replacement Kit	1
5	075571	Cap-off Sensor Screws	2
6	128521	Torch Head Repair Kit	1
7	128643	Torch Mounting Sleeve Replacement Kit	1
8	075618	Torch Mounting Screws	3
9	128710	Torch Positioning Sleeve	1
10	128924	25 ft (7.6 m) Torch Lead Replacement Kit	1
11	128925	50 ft (15.2 m) Torch Lead Replacement Kit	1
12	128926	RT60/RT60M Quick Disconnect Repair Kit	1
	128645	Torch Mounting Kit (for reassembly after installation)	1

^ Assembly includes consumables