

Hypertherm®

HyPerformance® HD3070®

Consumables

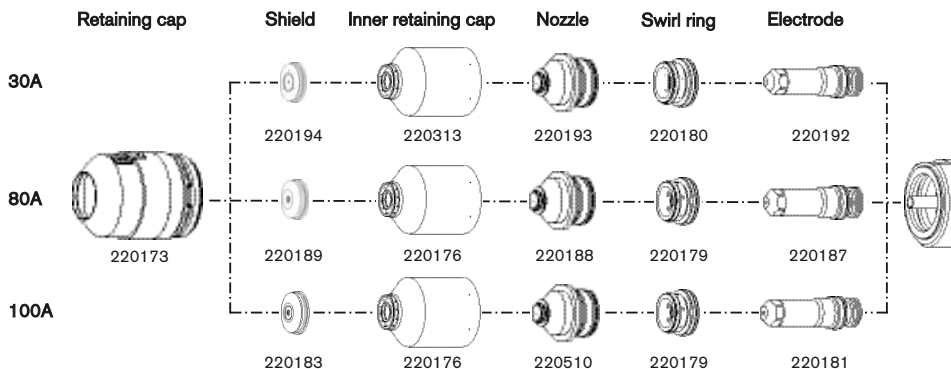


HD3070

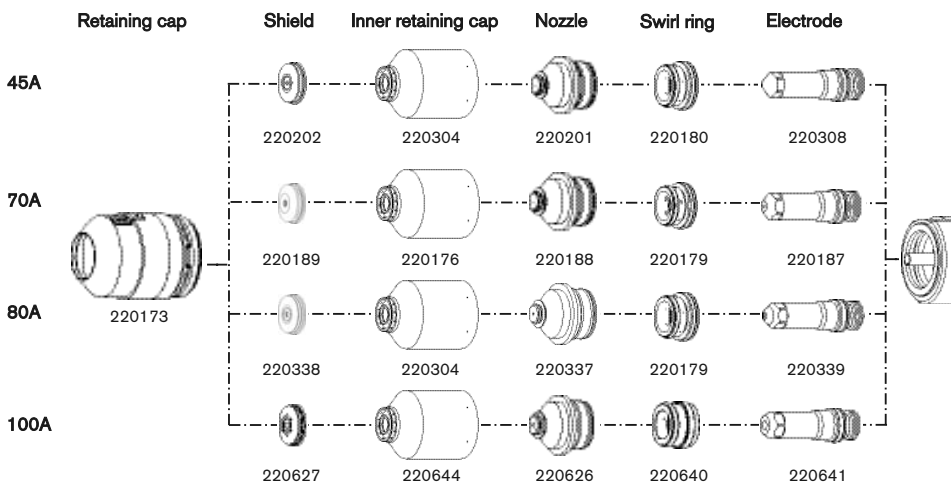


HyperPerformance HD3070 torch

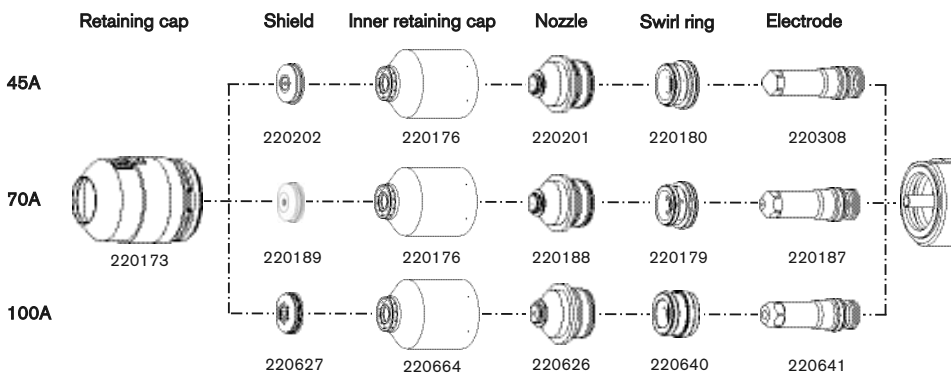
Mild steel



Stainless steel



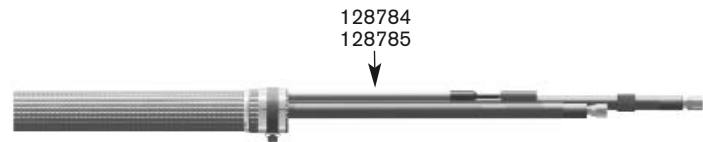
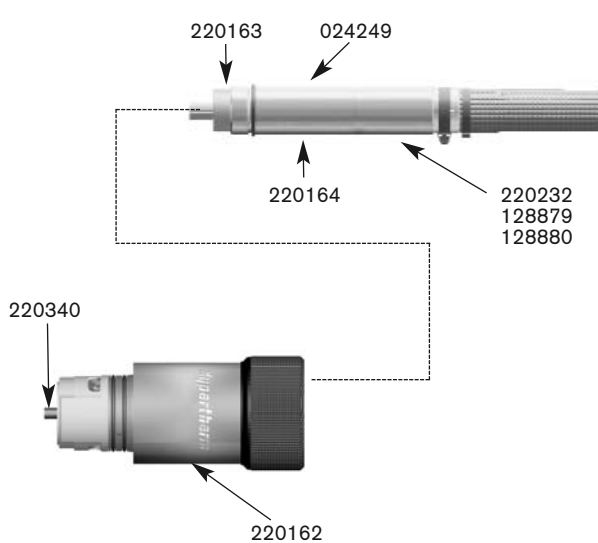
Aluminum



HyPerformance HD3070 consumables

MATERIAL	CONSUMABLE DESCRIPTION	100 AMPS	80 AMPS	70 AMPS	45 AMPS	30 AMPS
Mild steel	Electrode	220181	220187	-----	-----	220192
	Swirl ring	220179	220179	-----	-----	220180
	Nozzle	220510	220188	-----	-----	220193
	Inner retaining cap	220176	220176	-----	-----	220313
	Shield	220183	220189	-----	-----	220194
	Shield cap	220173	220173	-----	-----	220173
Stainless steel	Electrode	220641	220339	220187	220308	-----
	Swirl ring	220640	220179	220179	220180	-----
	Nozzle	220626	220337	220188	220201	-----
	Inner retaining cap	220644	220304	220176	220304	-----
	Shield	220627	220338	220189	220202	-----
	Shield cap	220173	220173	220173	220173	-----
Aluminum	Electrode	220641	-----	220187	220308	-----
	Swirl ring	220640	-----	220179	220180	-----
	Nozzle	220626	-----	220188	220201	-----
	Inner retaining cap	220644	-----	220176	220176	-----
	Shield	220627	-----	220189	220202	-----
	Shield cap	220173	-----	220173	220173	-----

HyPerformance HD3070 Plasma torch assembly



PART NO.	DESCRIPTION
220162	Quick-disconnect torch
220340	Water tube with O-Ring
220163	Quick-disconnect receptacle
024249	Insulating sleeve
220164	Torch mounting sleeve
220232	Torch mounting sleeve assembly
128879	Torch kit: Bullet plugs, O-Rings, water tube and seal
128880	Quick-disconnect kit: O-Ring and connector
228132	Kit: HPR/HD3070 upgrade

Hypertherm, HyDefinition, HD, HD3070, and HyPerformance are trademarks of Hypertherm, Inc., and may be registered in the United States and/or other countries.

Hypertherm®

Hypertherm, Inc.
Hanover, NH 03755 USA
603-643-3441 Tel

Hypertherm Europe B.V.
4704 SE Roosendaal, Nederland
31 165 596907 Tel

Hypertherm (S) Pte Ltd.
417847, Republic of Singapore
65 6 841 2489 Tel

HYPERTHERM BRASIL LTDA.
Guarulhos, SP - Brasil
55 11 6409 2636 Tel

Hypertherm (Shanghai) Trading Co., Ltd. www.hypertherm.com
PR China 200052
86-21 5258 3330 /1 Tel